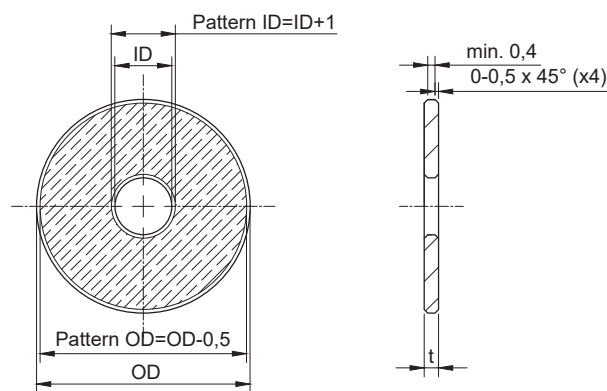




# GLASS DISCS



Glass discs are available in up to 400 mm diameters and a variety of different material and pattern specifications depending on the requirements. We have supplied discs to different industries including medical equipment, factory automation, radars, encoders, military and defence, etc.



OD - Outside diameter (10-400mm); ID - Inside diameter (0,8-350mm); t - thickness (0,5-8mm)

## MATERIAL

Substrate material	float glass, BK7 optical glass, ceramics, aluminium oxide and others. Low CTE: quartz glass, borosilicate, Robax, Zerodur.
Thickness of substrate	0,5 - 8 mm
Coating	
- optical density	1.5 - 3 (±5%) at 400-900 nm
- reflection	<10% at 700-850 nm
- layer thickness	200÷4000 Å
Disc processing	Laser cutting, grinding
Outbreaks on edges	< 0.1 mm
Grinded, polished glass	edges linearity 0.015 mm/m

## PATTERN

Coating	Chrome, aluminum, silica, anti-reflective chrome and others on request
Mark period ratio deviation	±2.5%
Max. graduation accuracy	2 arc. sec
Graduation coaxiality to outside diameter	< 0.1 mm
Grating pitch	from 8 µm

## GLASS PLATES

Glass plates are available in a variety of pattern configurations for variety of applications

Overall dimensions	up to 8" (203,2 mm)
Minimum size of element	5 µm
Pattern size	up to 180x180 mm

Variations to suit customer requirements

Other glass types, glass thicknesses and shapes of graduations lines can be provided. Please contact us with your ideas, drawings, needed specifications and other information and we will talk about the options.